

NECO 90 Downlight

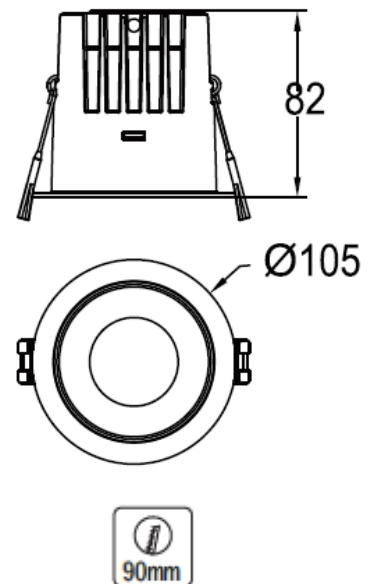
LED Downlight for Commercial & Residential application



- Compact LED Downlight with CREE LED chip perfect for Retail & Hospitality Project
- Deep set anti-glaring design
- UGR < 14
- Optional reflector color: Titanium black, Bright silver, Matt silver
- Available in Black / White
- Dimmable for Phase cut or DALI
- Easy Installation
- 3/5 years warranty



Technical Specification	
Lumen Output range	85lm/w @ 3000k & 90lm/w @ 4000k
Module Power	12W/15W/22W
Ip Rating	IP20
Color Temperature	2700K, 3000K, 4000K
Beam	18°, 24°, 36°, 50°
CRI Option	CRI 90
Lifetime	35,000hr
Finish Color	White & Black
Dimming Option	Dali, Phase cut & TouchDim
Dimension	105mm ø x 82mm (H)
Cut-out	90mm
Warranty	3 /5 years



* IES Files are available on request