

NECO SQ 100 ADJ Downlight

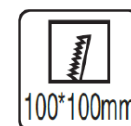
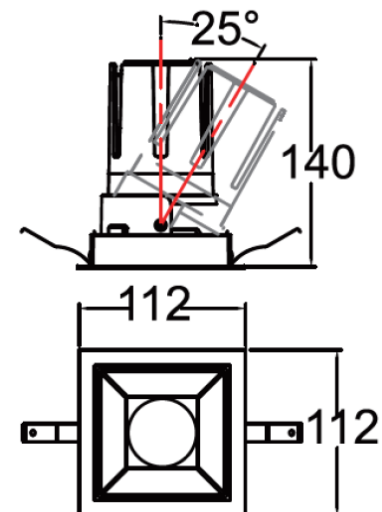
LED Downlight for Retail & Hospitality application



- Compact LED Downlight with CREE LED chip perfect for Retail & Hospitality Project
- Deep set anti-glaring design
- Optional reflector color: Titanium black, Bright silver, Matt silver
- Available in Black / White
- Dimmable for Phase cut or DALI
- Easy Installation
- 3/5 years warranty



Technical Specification	
Lumen Output range	1600lm/2100lm
Module Power	18w/24w
IP Rating	IP20
Color Temperature	2700K / 3000K / 4000K
Beam Angle's	15° / 24° / 38°
CRI Option	CRI 80 /90
Lifetime	50,000hr
Finish Color	White & Black
Accessories	Honeycomb, beam soft lens, snoot
Dimming Option	Phase cut / DALI / TouchDim
Dimension	112mm X 112mm x (H) 140mm
Cut out	100 x 100mm



* IES Files are available on request