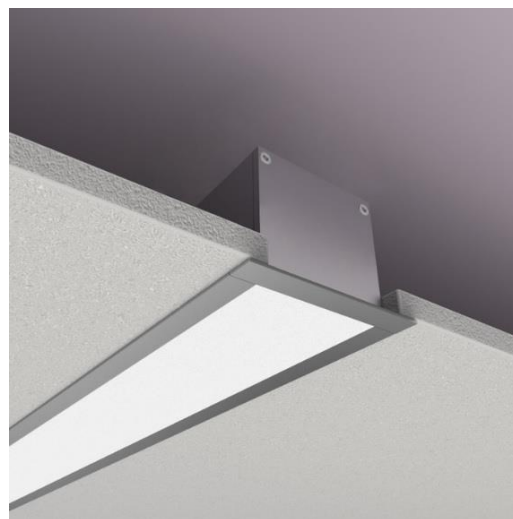


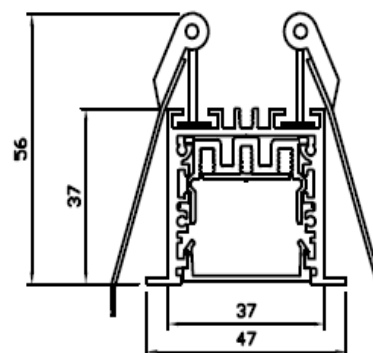
RAZOR RECESSED 4756

Linear Recessed Extrusion System for Commercial Application

- Linear Extrusion System for Commercial or Architecture application.
- Slim design to suit for low ceiling application
- High Color Rendering LED Strip Solution
- Customized length possible in 50mm increment
- Phase cut, 1-10V, DALI Dimming available
- IP44 Optional
- Long system life time with 5 years system warranty



Technical Specification	
Lumen Output range	722lm/m (12W/M) – 1524lm/m (25W/M)
Module Power	12W/M OR 25W/M
Operation Mode	Constant Voltage / Constant Current (Optional)
Color Temperature	2700K / 3000K/ 4000K
CRI Option	CRI 80 & CRI90 Optional
Lifetime	50,000 hrs
Dimension	47mm x56mm
Cut Out Width	37mm
Dimming	Phase cut / DALI/ 1-10V
Finish Color	White / Black / Powder coating available



* IES Files are available on request

Order Code

Code	Finish Colour	Colout Temperature	CRI	Dimming
3-RA-4756-REC	-SV	-27K	-80	Non
	-W	-3K	-90	Dali
	-B	-4K		0-10v