

# PROFILE

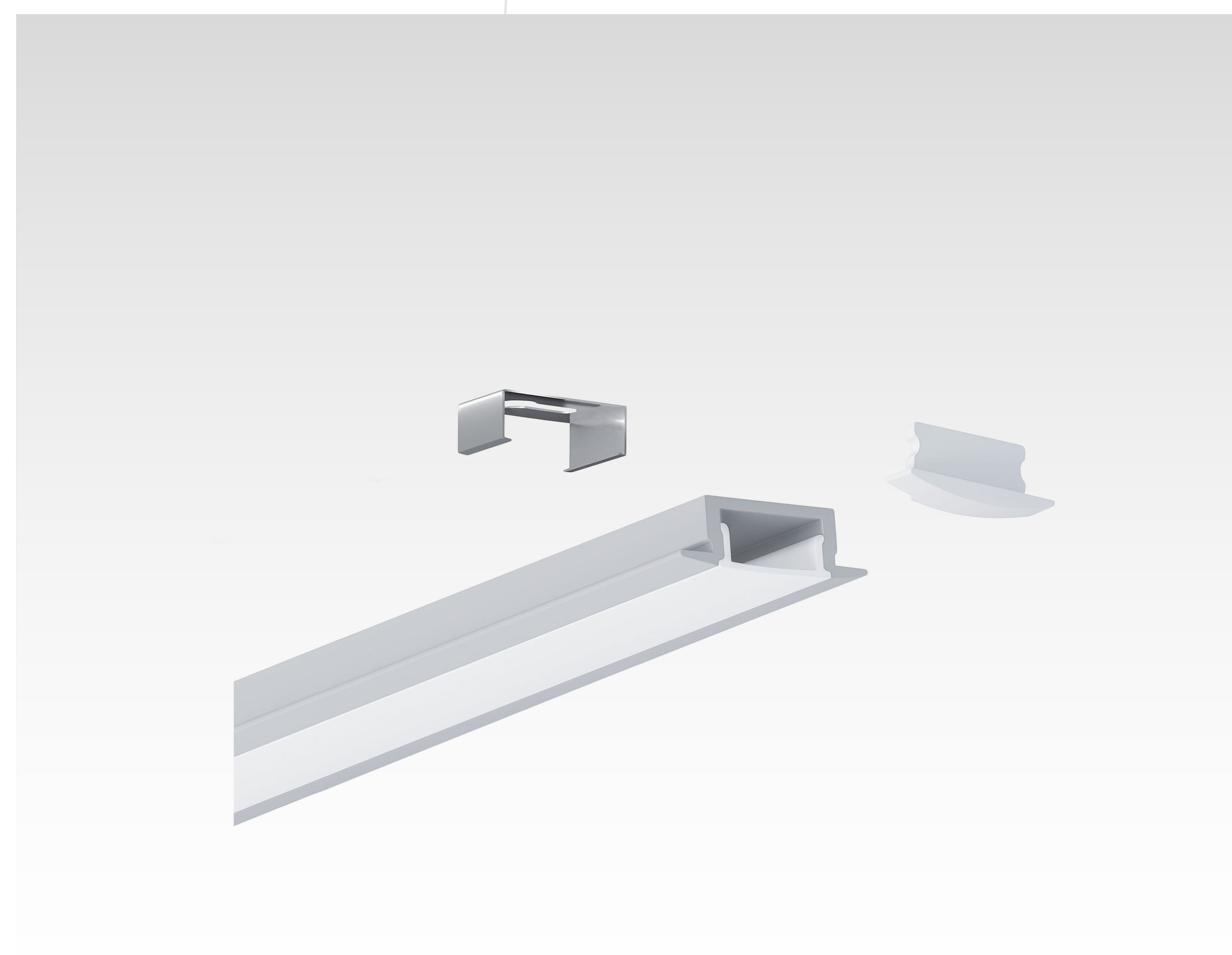
## 2508R

### High Quality Aluminum Profile For Ledstrip

This rigid, frameless aluminum profile is designed for surface mounting. Finished in a natural anodized color, it is compatible with all front-emission monochrome LED strips. The profile can be completed with your choice of an opal or translucent diffuser screen for customized light distribution.



IP20/65



## LUMINAIRE SPECIFICATION

### General Data

<b>Mounting</b>	Recessed
<b>Dimension (mm)</b>	23.2 x 7.9 (H)
<b>Cutout (mm)</b>	17.2
<b>Suitable Tape Width (mm)</b>	12
<b>Maximum Length (mm)</b>	3000
<b>Finish</b>	Nature Anodized
<b>IP Rating</b>	IP20 / 65
<b>Installation</b>	Mounting Clips

